

Geiser Pool



TECHNICAL SPECIFICATIONS

STRUCTURE & CASING

Casing made of galvanised steel sheet lacquered with weather resistant polyester painting. Solid structure and frame in galvanised steel.

The entire surface has removable panels to facilitate access to any component of the system. Panels are isolated with noise absorbent material.

Designed with different compartment for cooling circuit, electrical panel and evaporator / condenser.

COMPRESSOR

The scroll technology provides strength and efficient working. 410A Eco-friendly coolant.

FANS

Axial fans driven by a 6-pole electric motor to reduce noise level.

EXTERNAL COIL

The heat exchanger is dimensioned to ensure working at low temperatures.

Made of alluminum fins covering all the copper tube surface maximising the global inter change.

WATER HEAT EXCHANGER

Tubular heat exchanger in Titanium and PVC, corrosion resistant. High efficient configuration to enhance the performance of the unit.

ELECTRONIC EXPANSION VALVE

The electronic expansion valve provides a very precise control of the evaporation stage guaranteeing flow with an equal percentage and optimizing the whole circuit working.

ELECTRICAL PANEL

The electrical panel is enclosed in an independent compartment and separated from the hydraulic and refrigeration circuits. The panel comprises:

- General magnetothermic switch
- Remote ON-OFF switch
- Remote alarm switch

CONTROLLER

Its read the temperature from the probe installed in the return water pipe and manage the working of the whole system. Other features:

- Compressor start-up in stage optimizing the operating peaks
- Anti-freeze protection
- Sliding defrost: proportional to the outside temperature.

SAFETY DEVICES

The controller gives the alarm signals, automatic or manually reset.

- Temperature probe to anti-freeze protection
- Circuit thermal overload
- High pressure operation
- Low pressure operation
- Low supply voltage
- High supply voltage
- Hours of compressor working

OPTIONAL

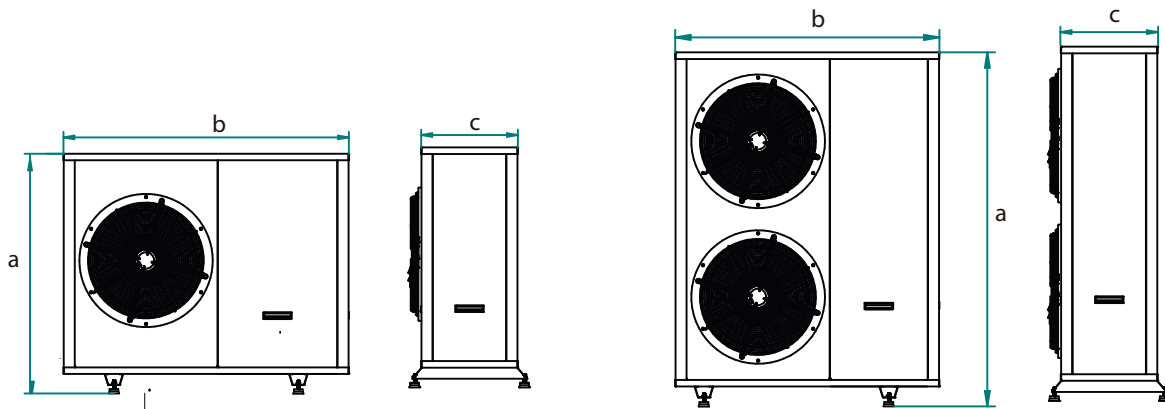
- System to recover the cold water
- Electronic / Ultra low-noise fans
- Remote control with screen
- RS485 communication system

Geiser Pool

Technical data and Dimensions

Model	GSP210	GSP212	GSP214	GSP418	GSP424	GSP427
Heating capacity, kW (1)	10,82	12,47	13,9	17,85	23,51	27,29
Absorber power, kW (1)	2,77	3,12	3,52	4,30	5,71	7,14
COP (1)	3,91	4,00	3,95	4,15	4,12	3,82
Heating capacity, kW (2)	14,62	16,88	19,09	24,36	30,95	35,93
Absorber power, kW (2)	2,72	3,08	3,43	4,28	5,58	7,00
COP (2)	5,38	5,49	5,57	5,69	5,55	5,13
Heating capacity, kW (3)	11,51	13,22	14,76	18,82	24,26	28,17
Absorber power, kW (3)	2,41	2,71	3,04	2,95	3,74	5,00
COP (3)	4,79	4,89	4,86	5,45	5,03	4,85
Minimum working temperature, °C				-10		
Maximum water temperature, °C				50		
Power supply	220-240V/1ph/50Hz			380-400V/3ph/50Hz		
Absorbed intensity,A	13,00	14,00	16,00	9,50	11,00	13,00
Dimensions (A x B x C),mm	1092 x 1460 x 440			1608 x 1660 x 440		1608 x 1660 x652

(1) Air temp. 7°C / water temp. 35°C
 (2) Air temp. 15°C / Water temp. 35°C
 (3) Air temp. 7°C / Water temp. 28°C



Schematic diagram

